

Create each pole separately!

Save As:
Main Pole

Save As:
Long Pole

Save As:
Short Pole

Save As:
MonkeyPole

96.00

123.00

27.00

36.00

$\varnothing 4.00$

$\varnothing 4.00$

$\varnothing 4.00$

$\varnothing 2.00$

D

C

B

A

4

3

2

1

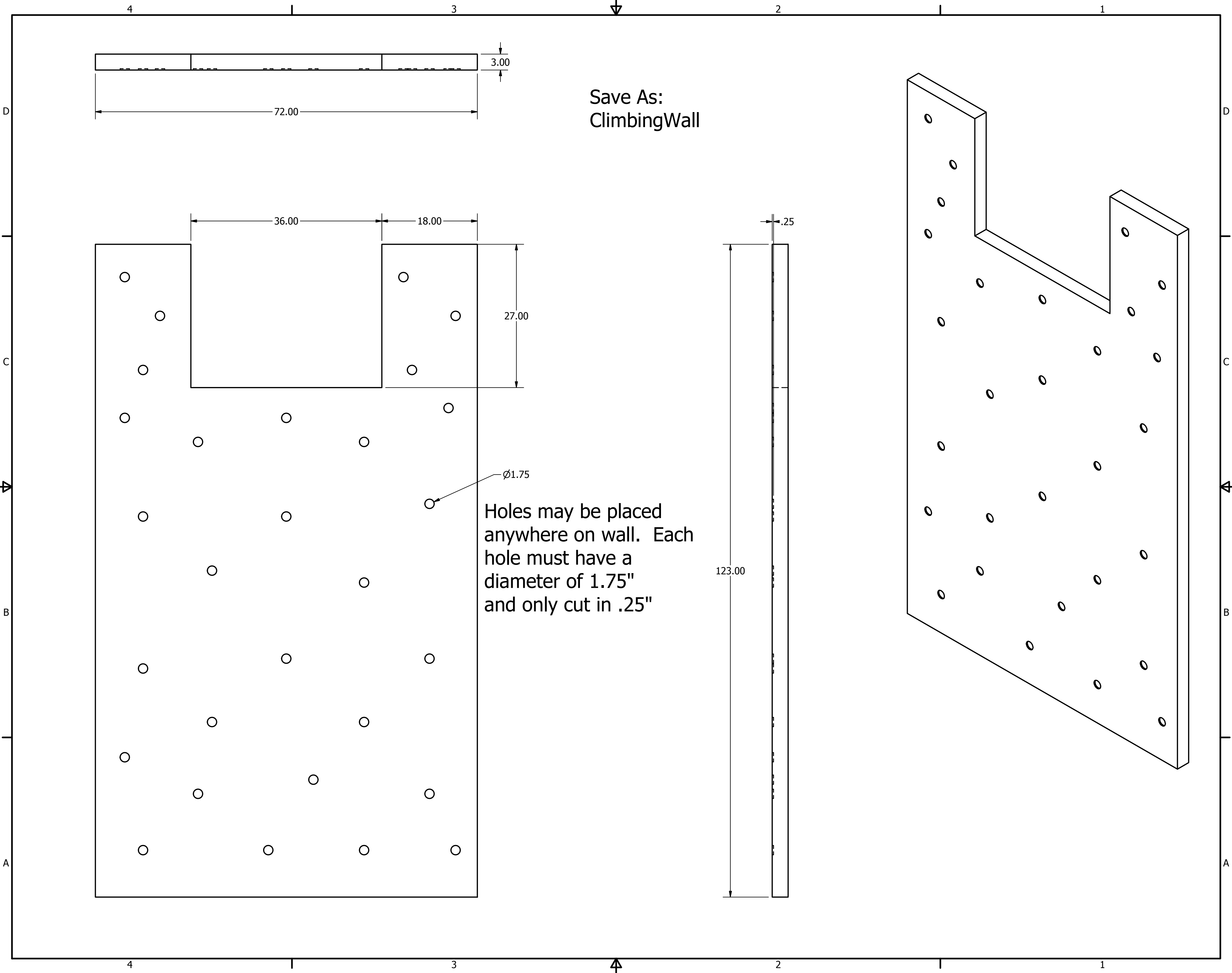
D

C

B

A





Save As:
ClimbingWall

Ø1.75
Holes may be placed
anywhere on wall. Each
hole must have a
diameter of 1.75"
and only cut in .25"

123.00

.25

72.00

27.00

36.00

18.00

4

3

2

1

D

C

B

A

D

C

B

A

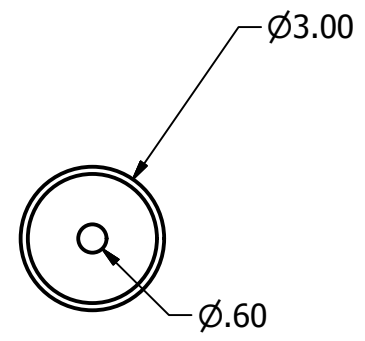
4

3

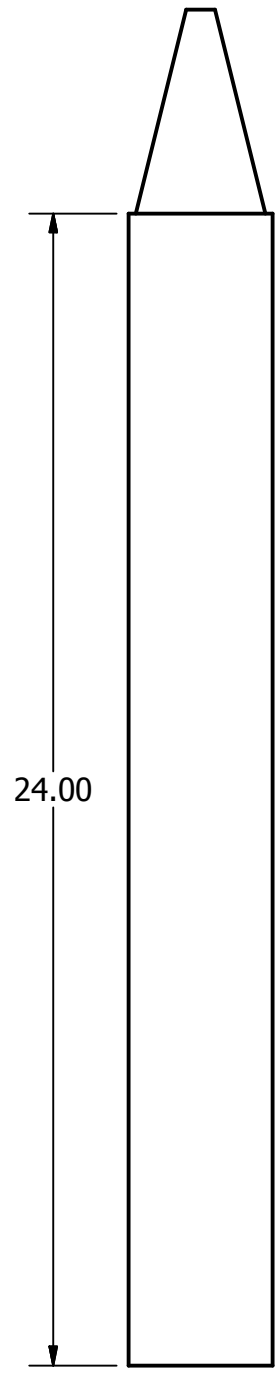
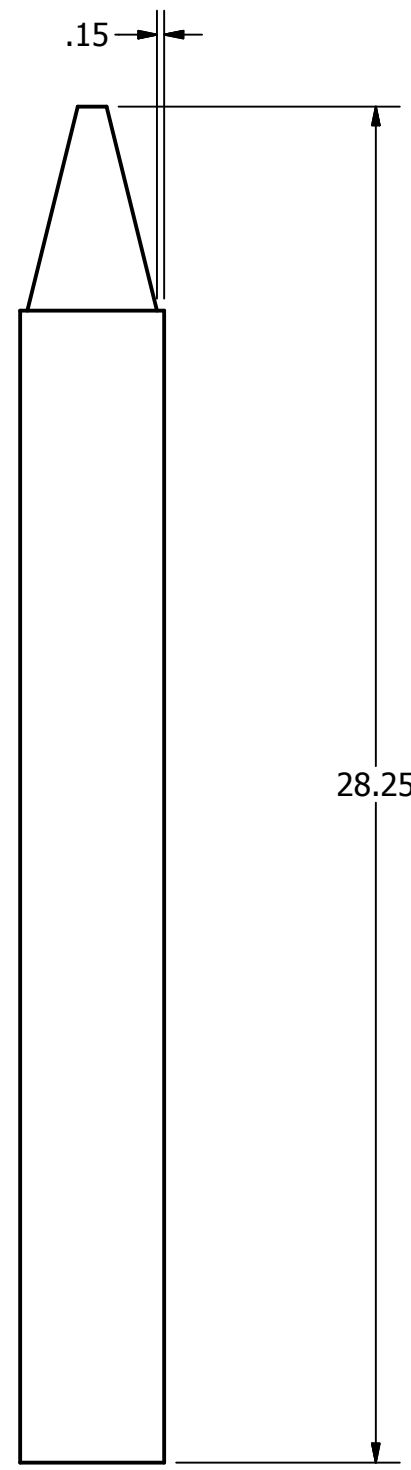
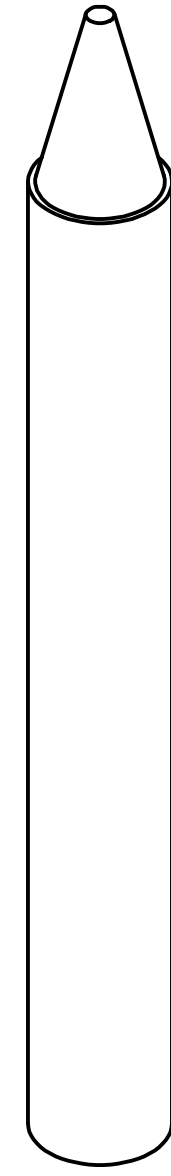
2

1

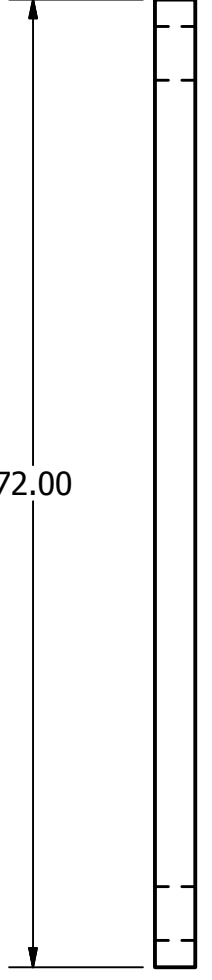
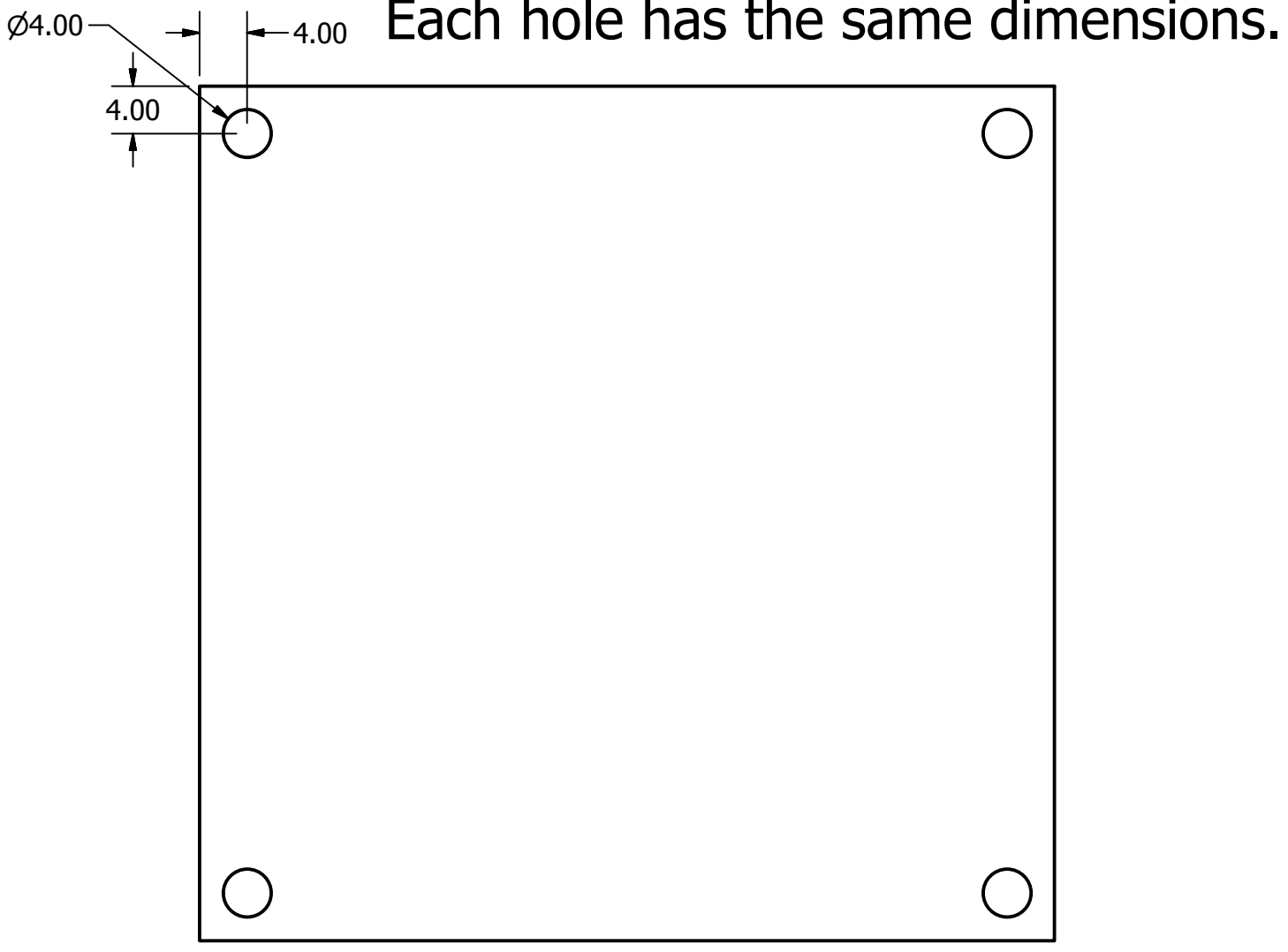
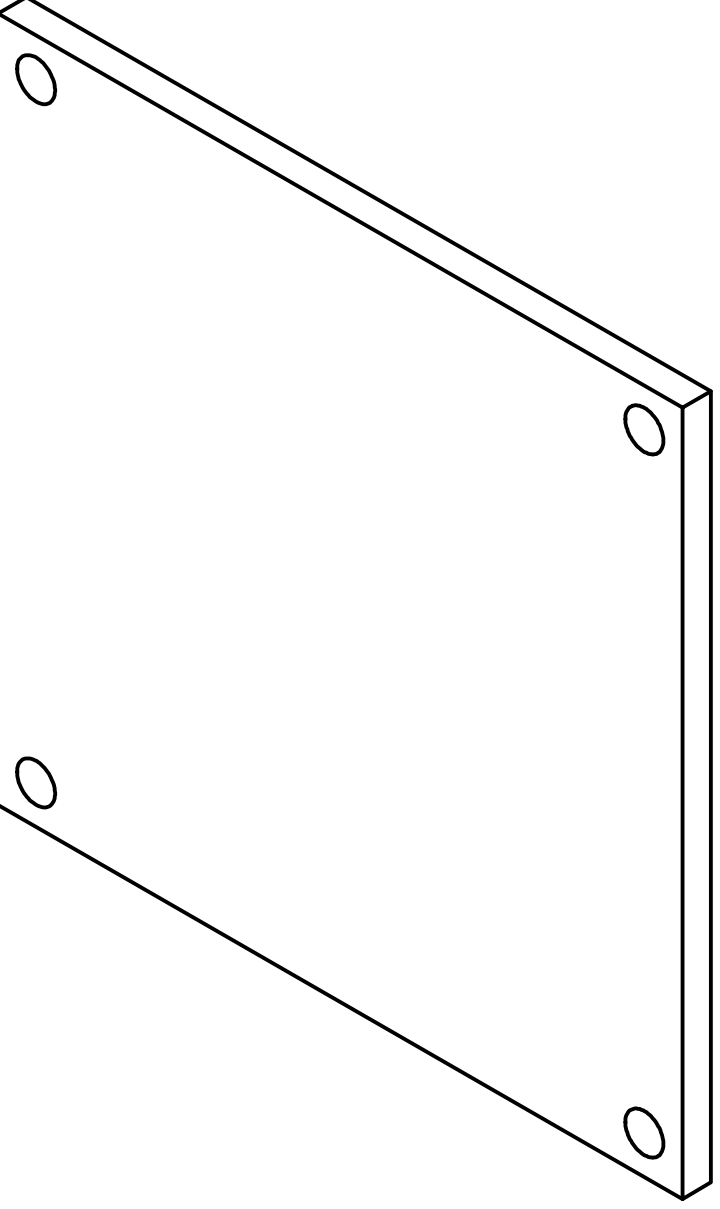
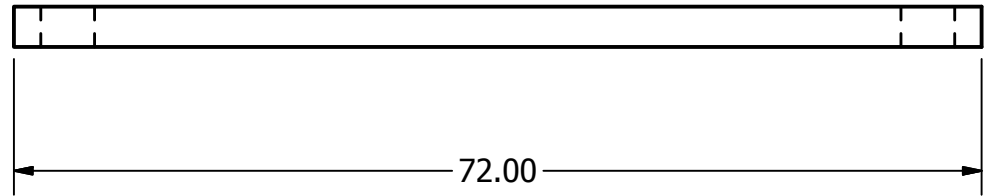
4



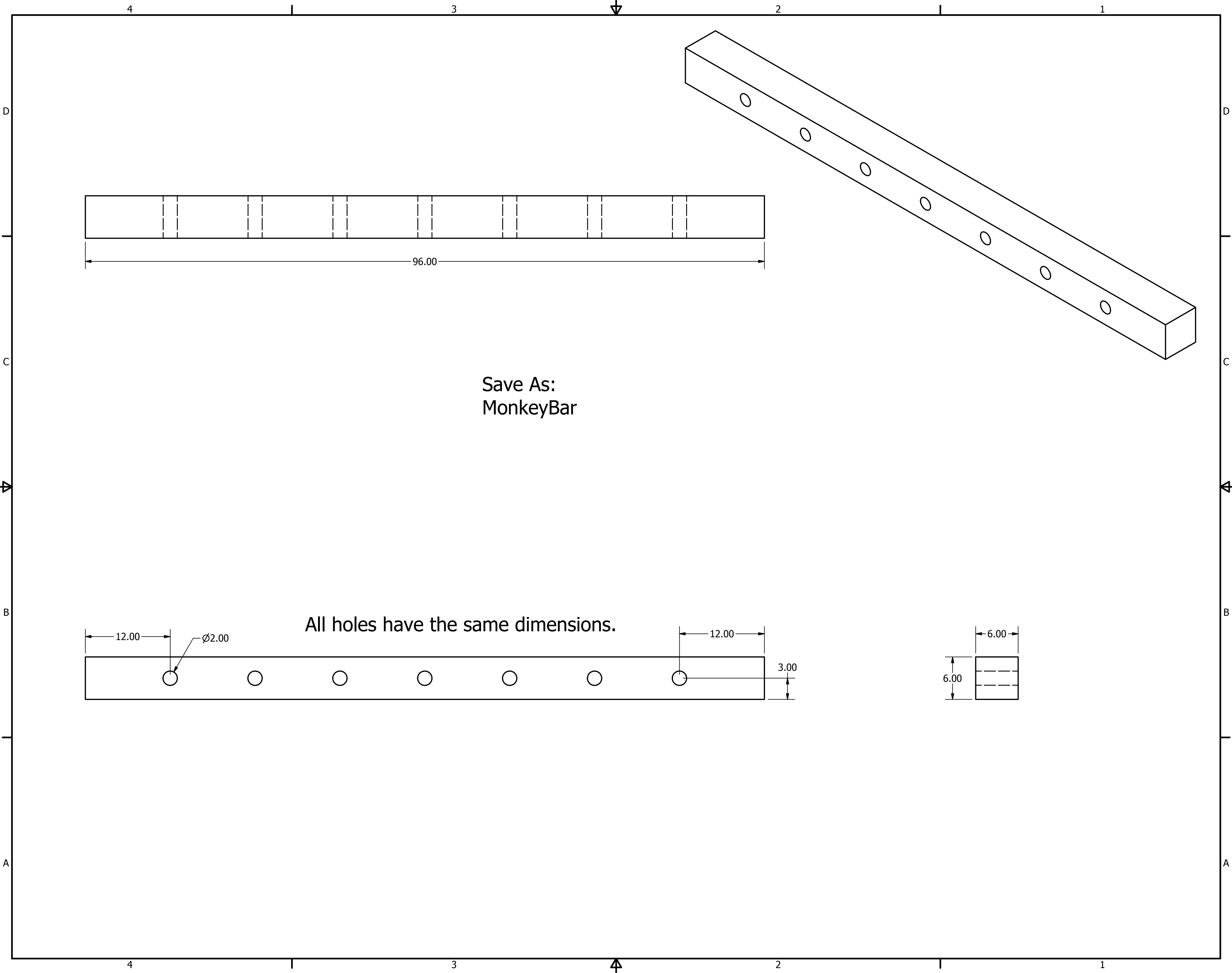
Save As:
Crayonpole



When creating the crayola pole, sketch the profile, dimension it, then revolve to create the 3-D crayon.



Save as: Main Platform



Save As:
MonkeyBar

All holes have the same dimensions.

4

3

2

1

D

D

C

C

B

B

A

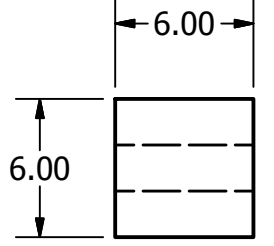
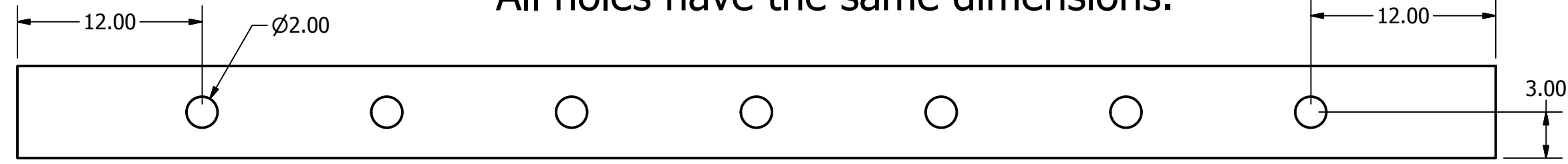
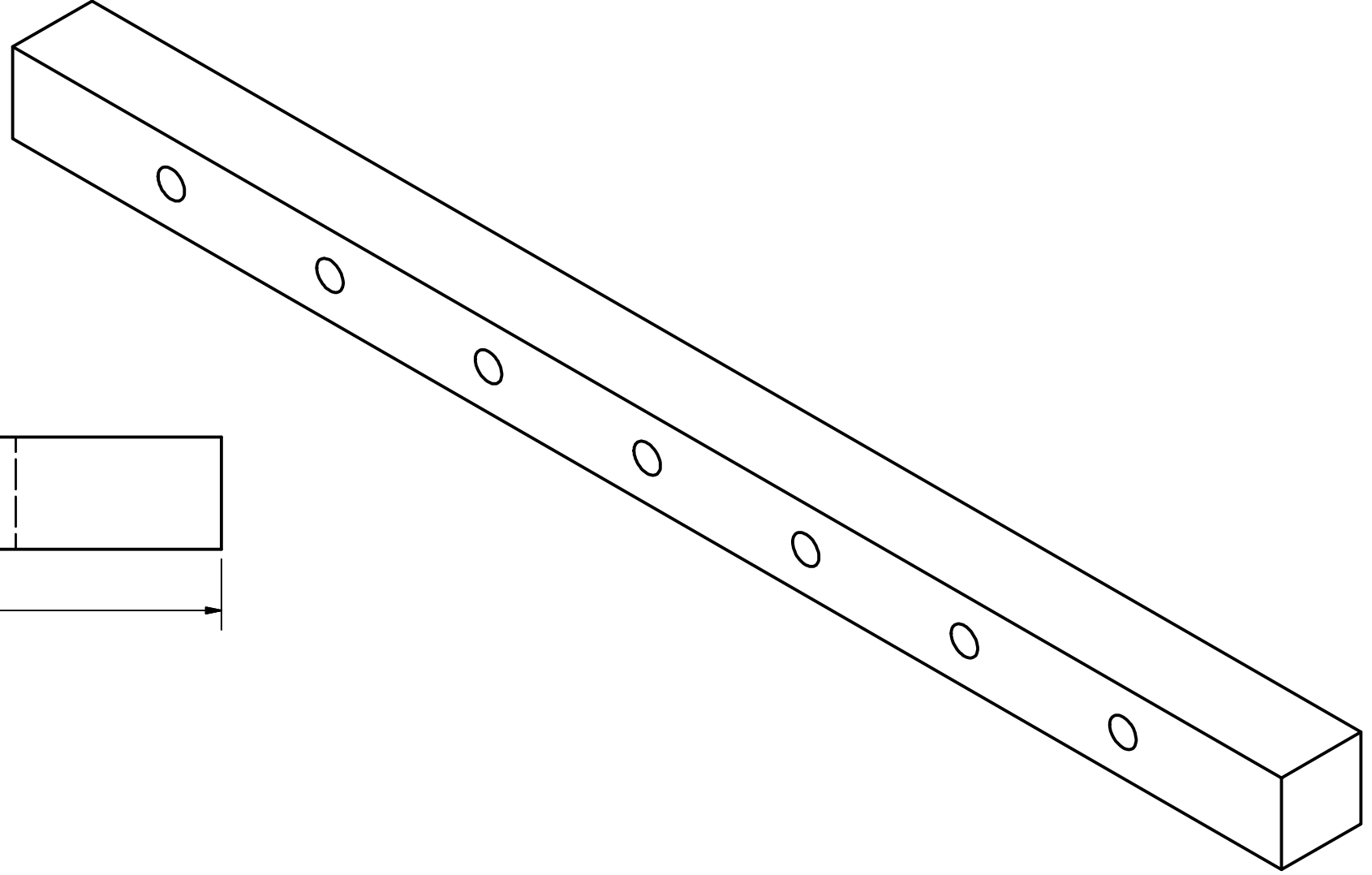
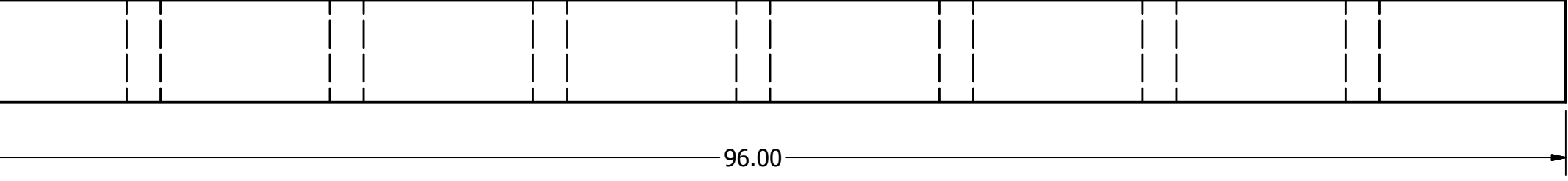
A

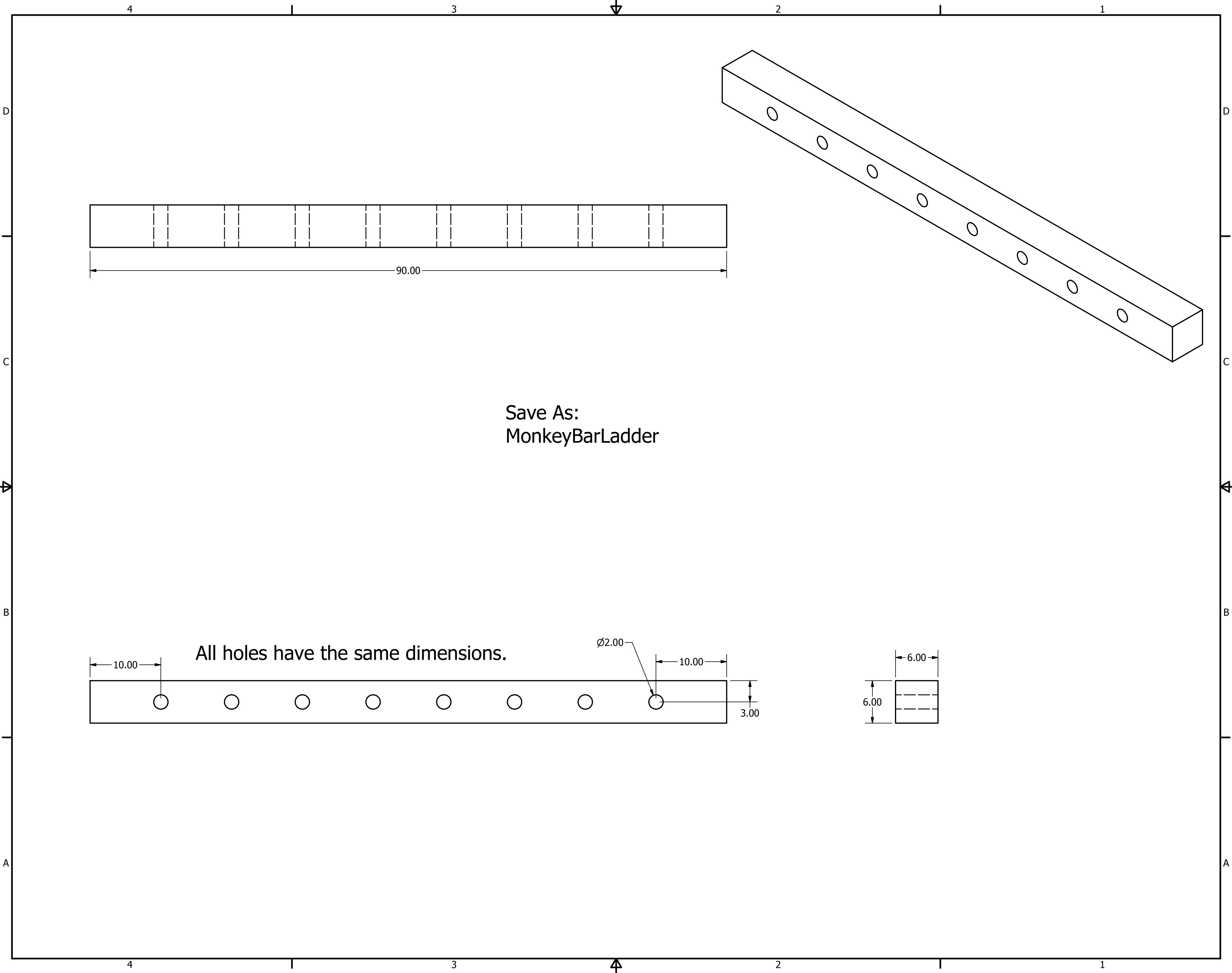
4

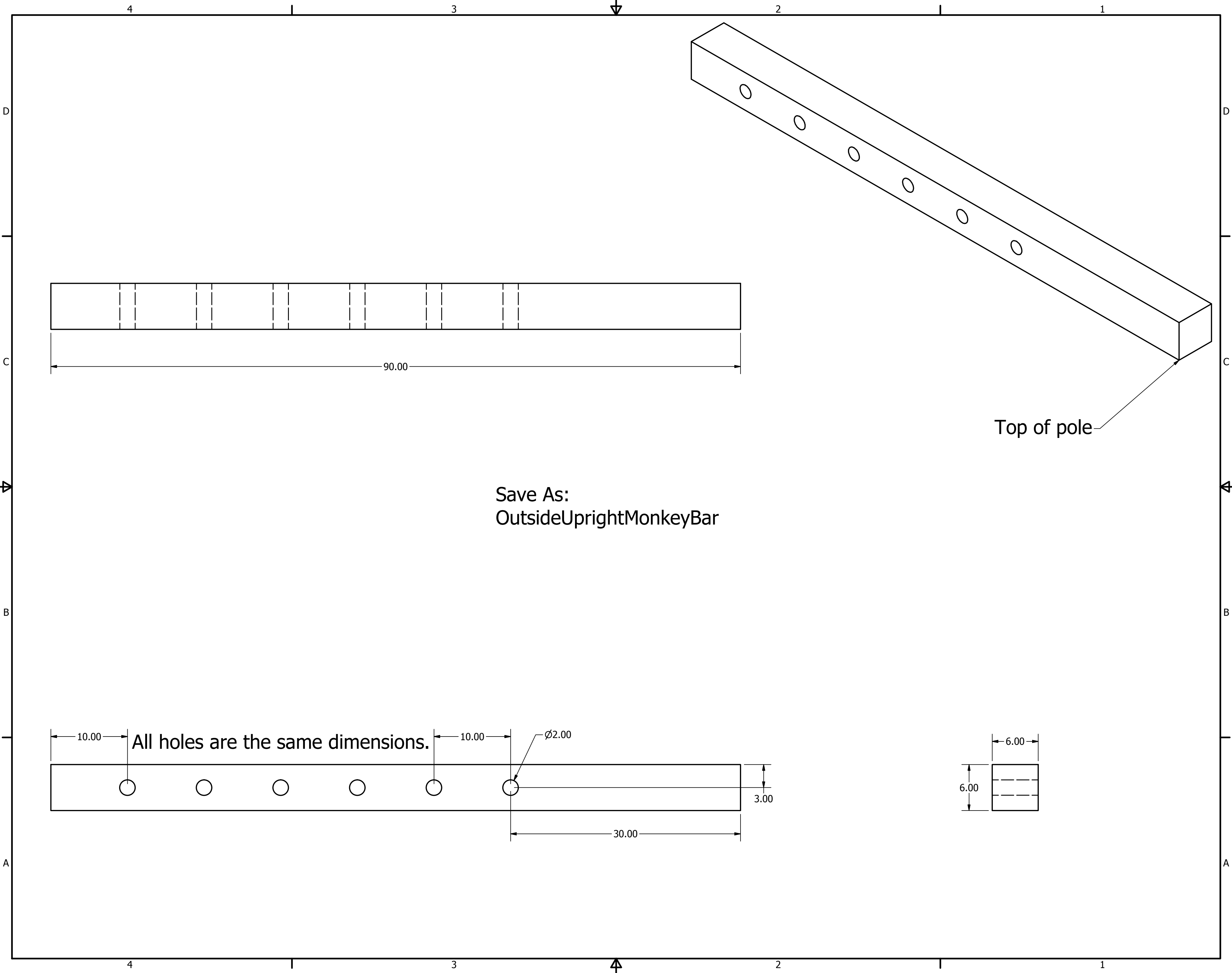
3

2

1







Save As:
OutsideUprightMonkeyBar

All holes are the same dimensions.

4

3

2

1

D

D

C

C

B

B

A

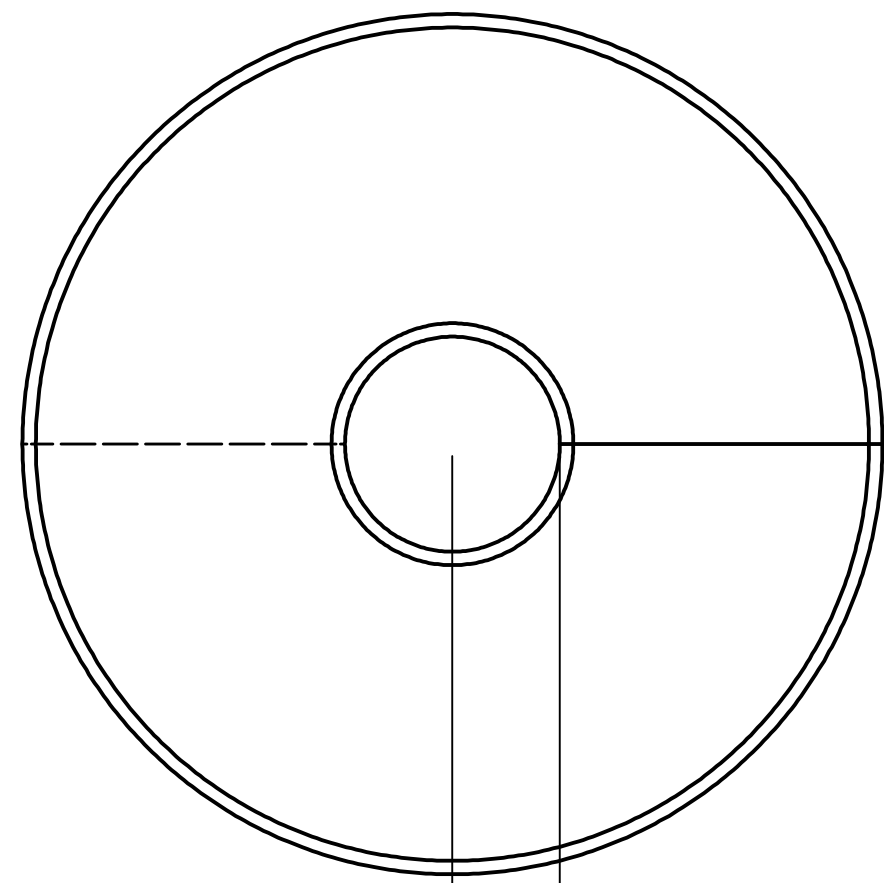
A

4

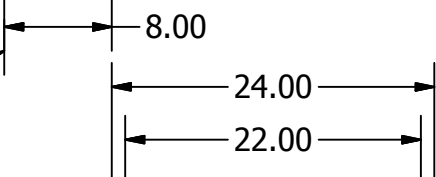
3

2

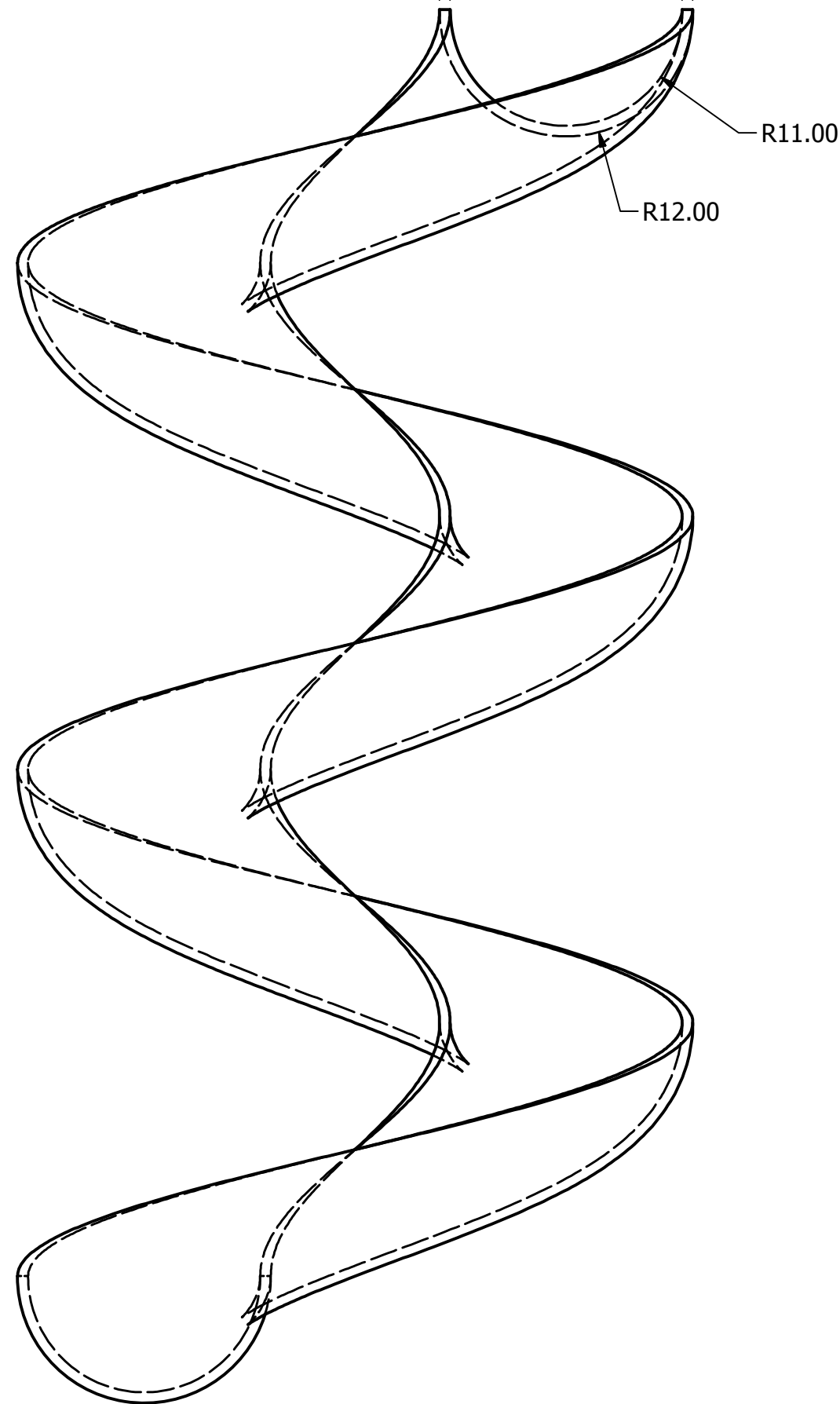
1



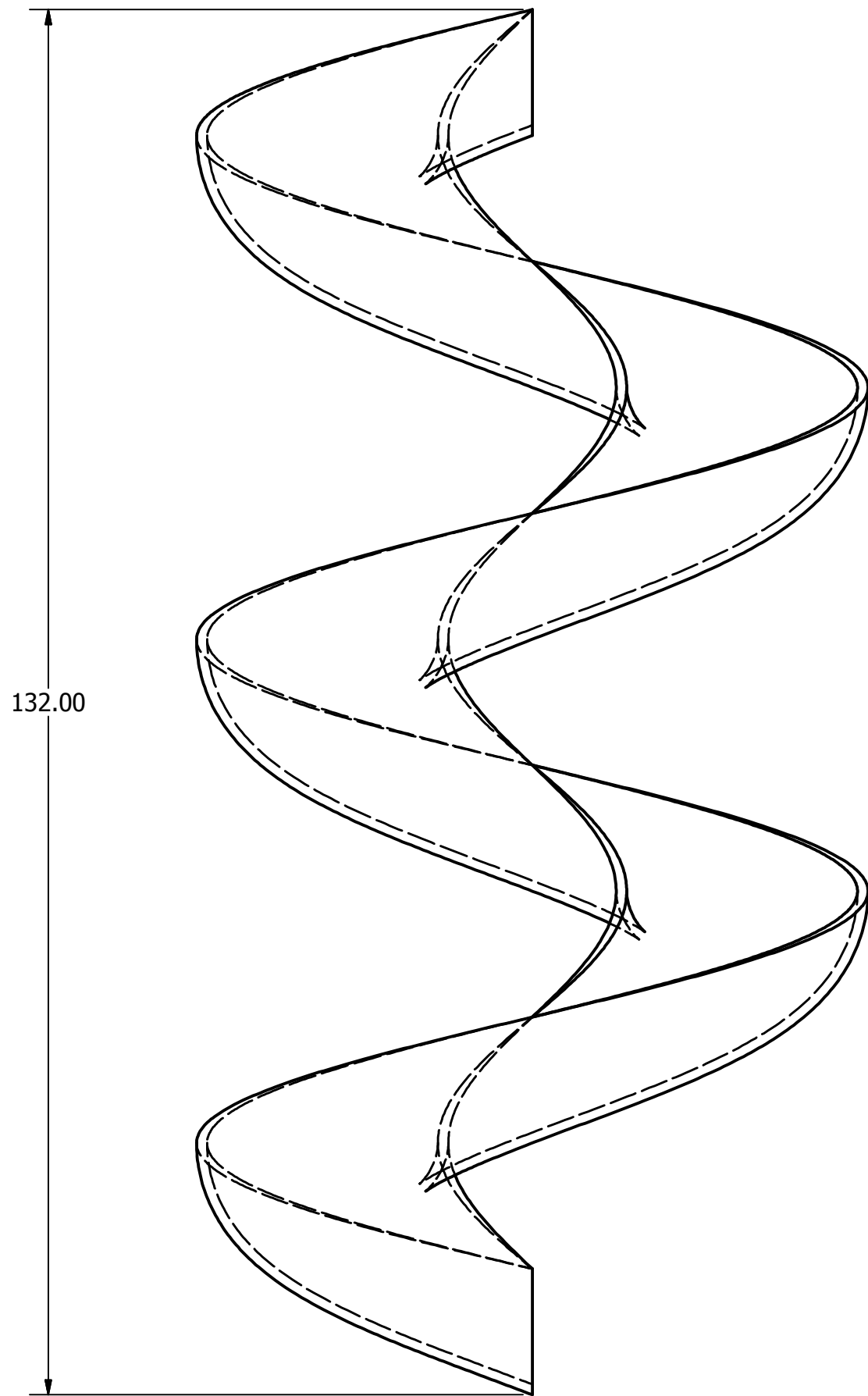
Distance from axis

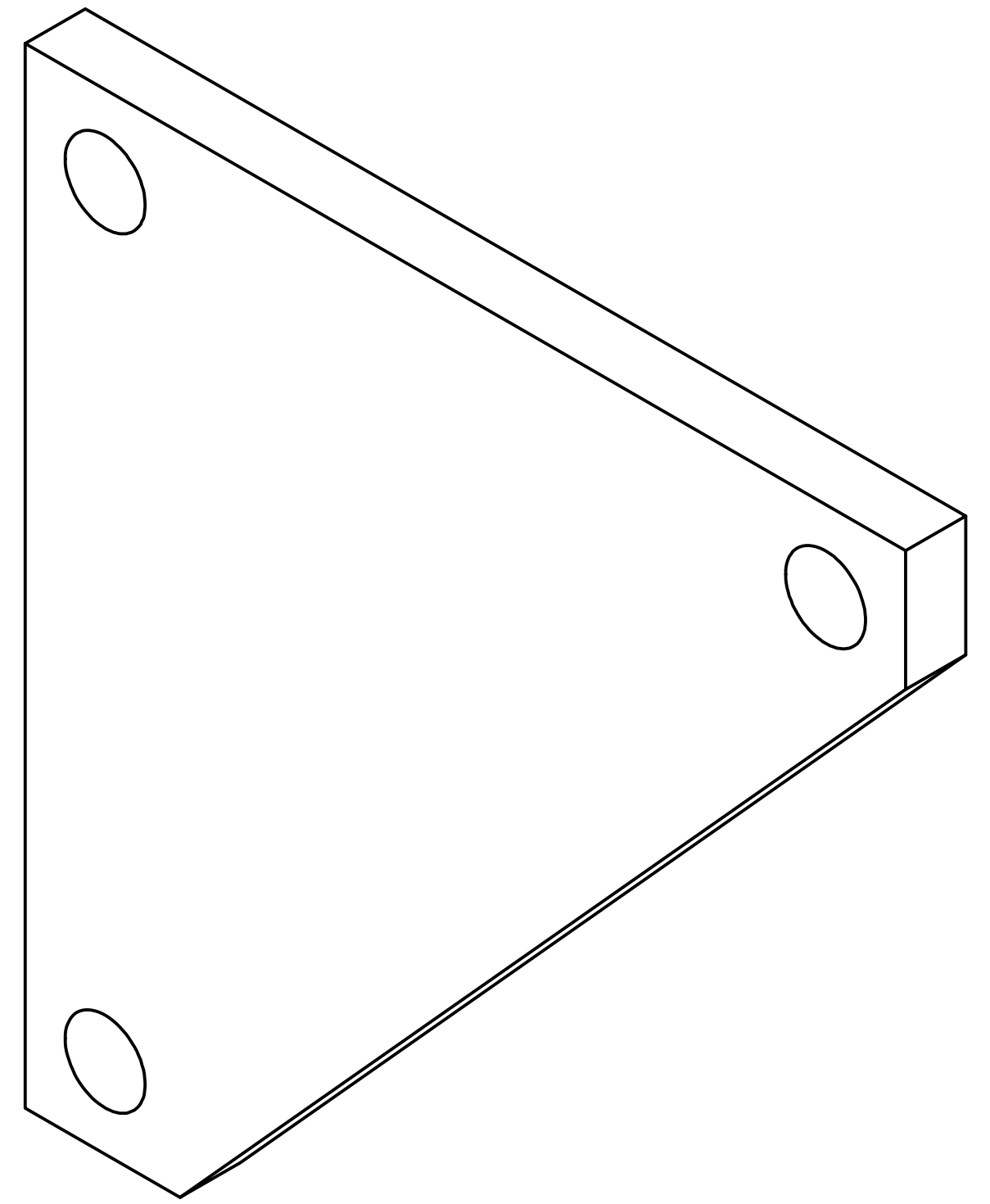
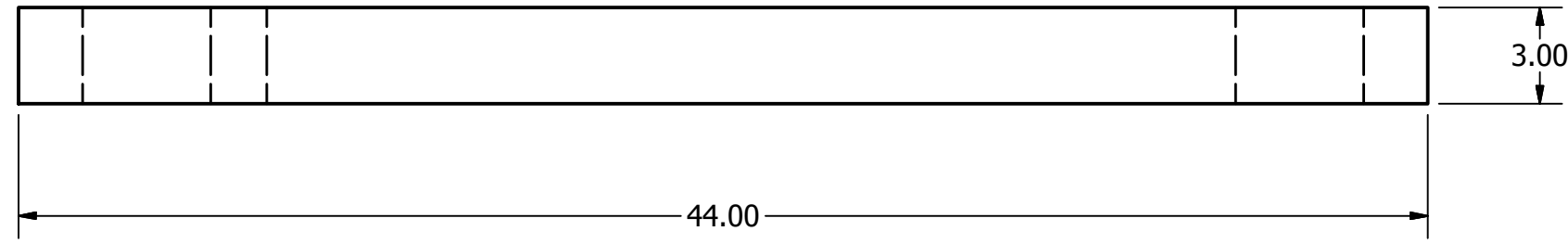


Slide is created using the Coil function.
 Sketch how you want the slide to look at the start of the actual slide & dimension. (basically 2 arcs equal distance apart)
 Draw a profile axis outside the arcs & dimension.
 Use Coil to set height and # of rotations. (# of Rotations can vary)



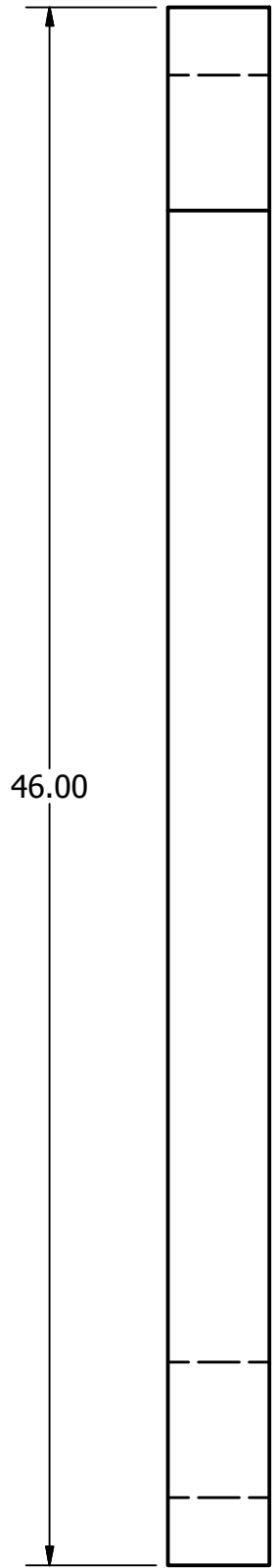
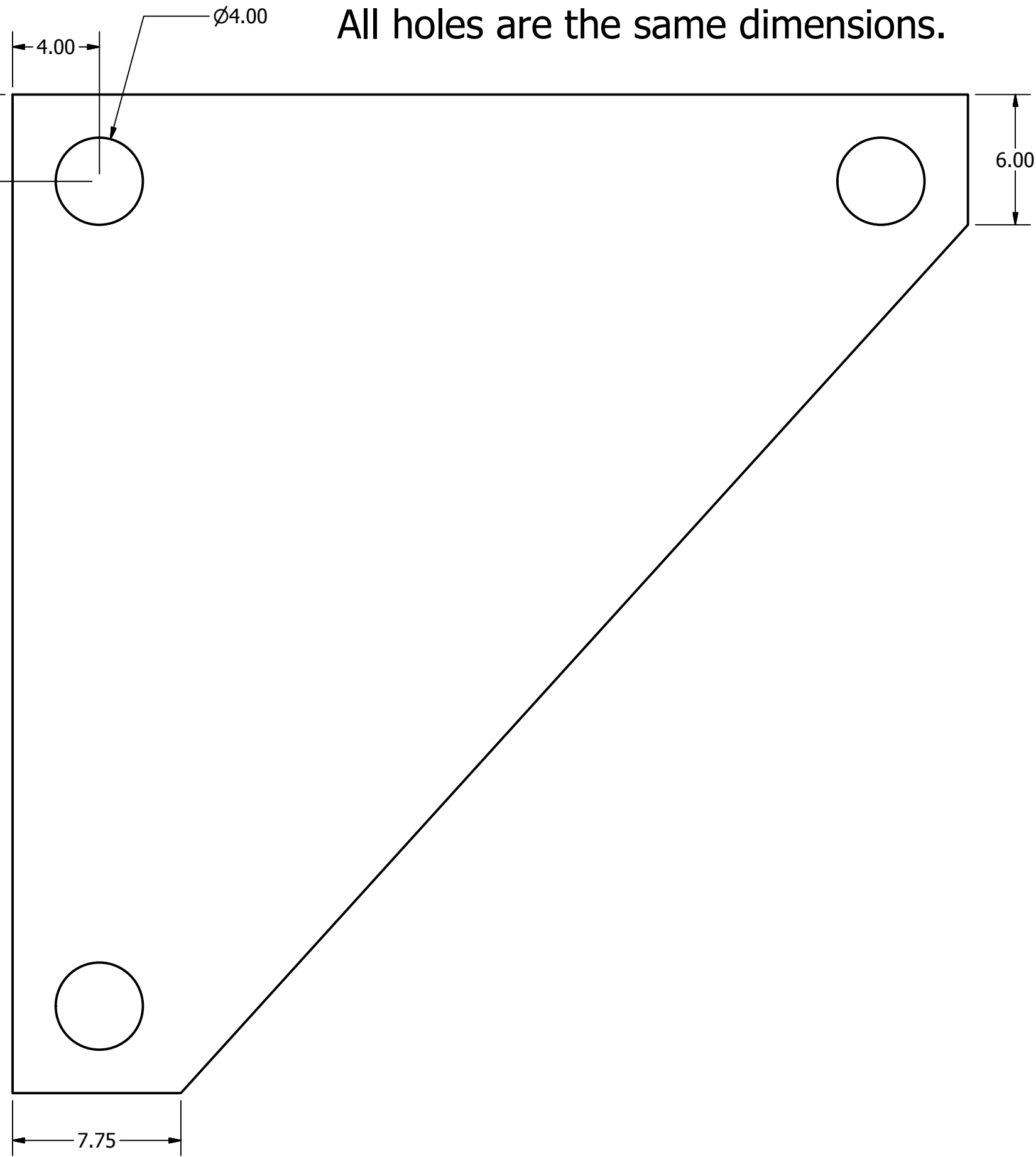
Save As:
SpiralSlide





D
C
B
A

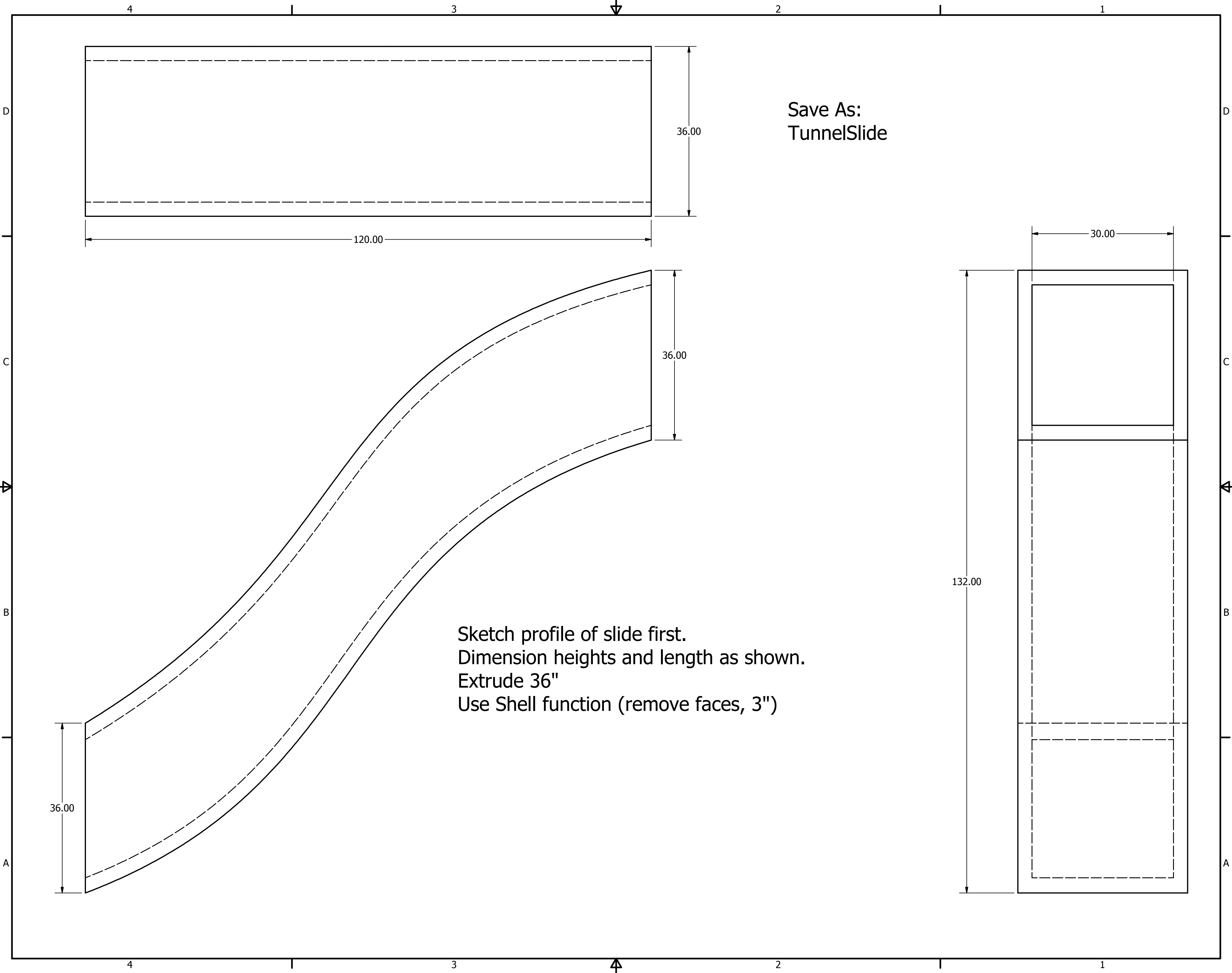
D
C
B
A



Save As:
TriPlatform

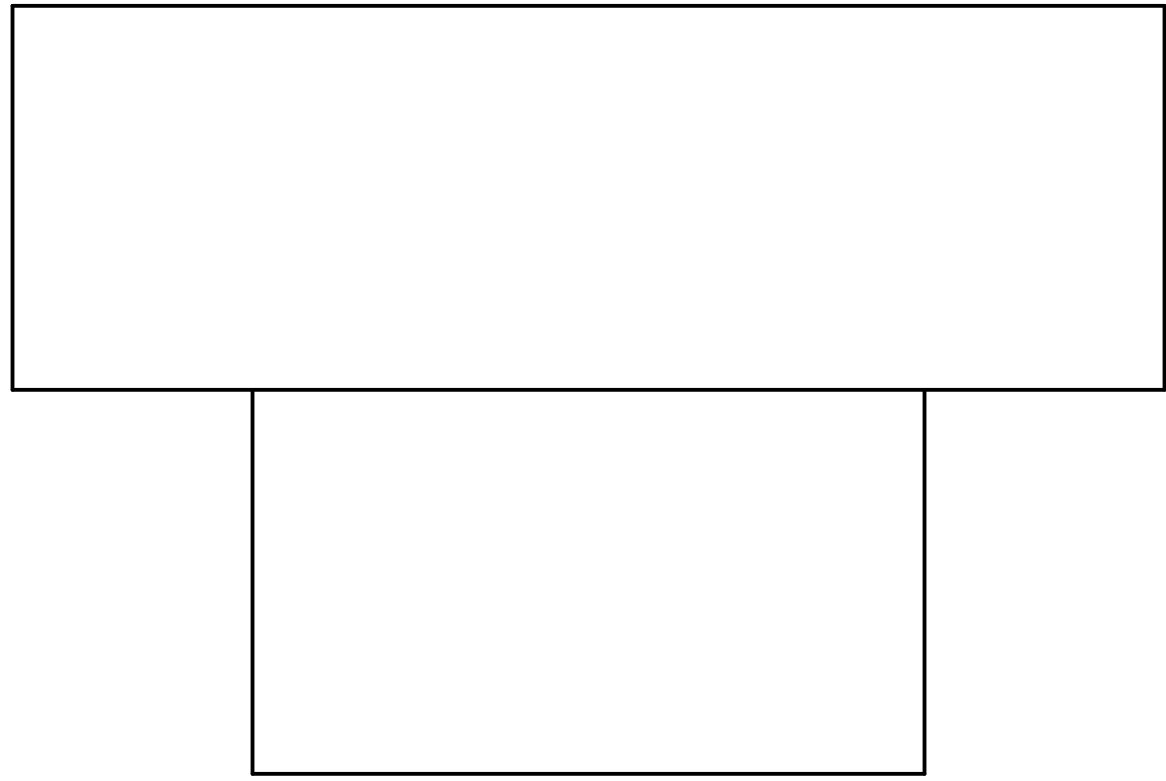
4 3 2 1

4 3 2 1



Save As:
TunnelSlide

Sketch profile of slide first.
Dimension heights and length as shown.
Extrude 36"
Use Shell function (remove faces, 3")



Save As:
WallHandle

